

4

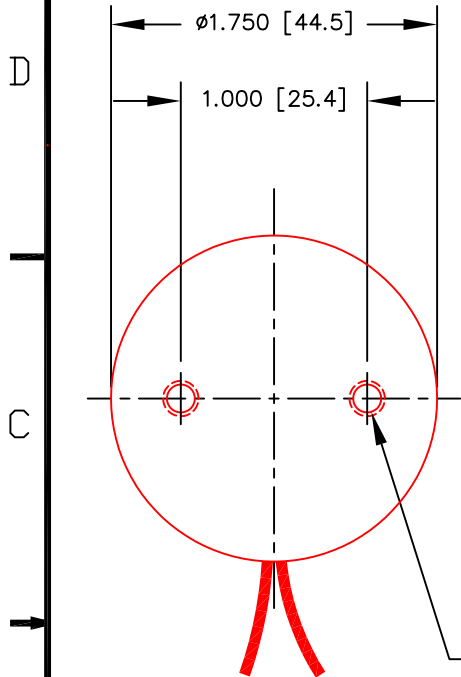
3

2

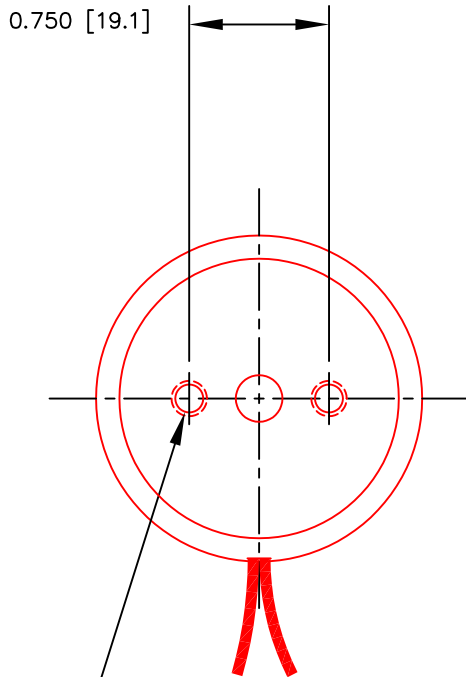
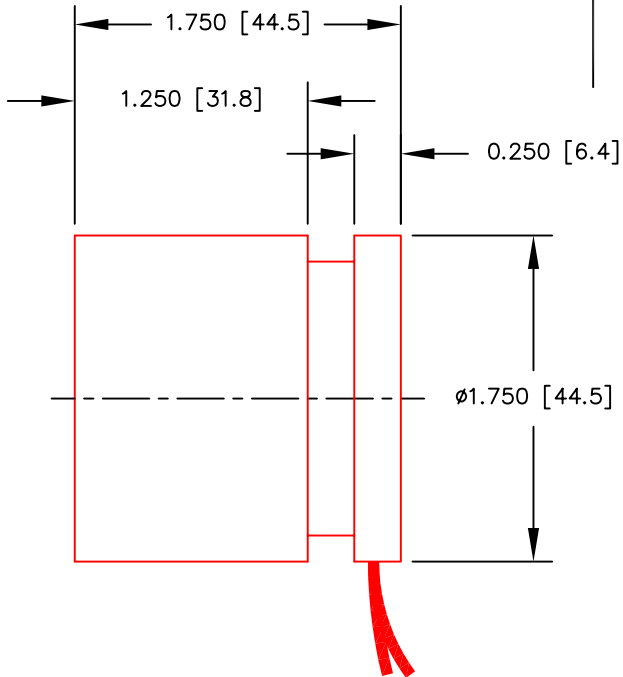
1

SHOWN AT MID-STROKE

REVISIONS					
ZONE	LETTER	DESCRIPTION	DATE	CHECKED	APPROVED



10-32 UNF-2B  
X 0.25 [6.4] DP (2)

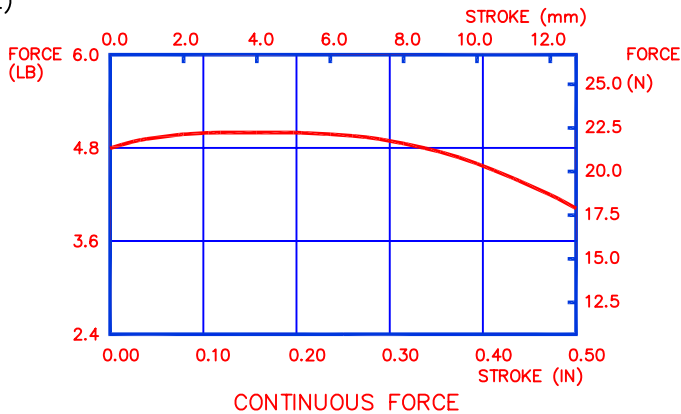


10-32 UNF-2B  
X 0.25 [6.4] DP (2)

INTERMITTENT FORCE @10% DUTY CYCLE	70.4 N	15.8 LB
CONTINUOUS FORCE	22.2 N	5.0 LB
FORCE CONSTANT	12.3 N/A	2.8 LB/A
BACK EMF CONSTANT	12.3 v/M/S	0.31 v/IN/S
STROKE	12.7 mm	0.50 IN
COIL CLEARANCE PER SIDE	0.38 mm	0.015 IN
COIL ASSY MASS	64 GR	2.3 OZ
BODY MASS	320 GR	11.3 OZ
COIL RESISTANCE	6.1 Ohms	
COIL INDUCTANCE @ 1000 Hz	3.8 mH	
MAX CONTINUOUS POWER	20.0 W	

ALL VALUES AT 25°C

UNLESS OTHERWISE SPECIFIED



THIS DOCUMENT, WHETHER OR NOT MARKED AS PROPRIETARY, IS CONSIDERED CONFIDENTIAL AND SHALL REMAIN THE PROPERTY OF MOTICONT AND SHALL BE RETURNED TO MOTICONT UPON REQUEST WITH ALL COPIES MADE THEREOF. THIS DOCUMENT CANNOT BE UTILIZED IN THE MANUFACTURE OF ARTICLES SOLD OR OFFERED OR DISCLOSED TO ANYONE AND NO USE OF IT CAN BE MADE UNLESS EXPRESSLY AUTHORIZED BY AND UNDER THE DIRECTION OF MOTICONT. POSSESSION OF THIS DOCUMENT IS ACCEPTED SUBJECT TO THE FOREGOING.

DIMENSIONS ARE IN INCHES (mm)  
TOLERANCES ON:  
DECIMALS FRACTIONS ANGLES  
.XXX .XX ± 1/125 ± 1/2°  
± .005 ± .01  
UNLESS OTHERWISE SPECIFIED

USED ON	NEXT ASSY
APPLICATION	

MATERIAL

FINISH

CONTRACT

DRN

CHKD

APPVD

APPVD

**motiCont**

LINEAR VOICE COIL MOTOR

SIZE	CODE	DWG. NO.	REV.
A		LVCM-044-032-02	
SCALE: 1 / 1		SHEET 1 OF 1	