

4

3

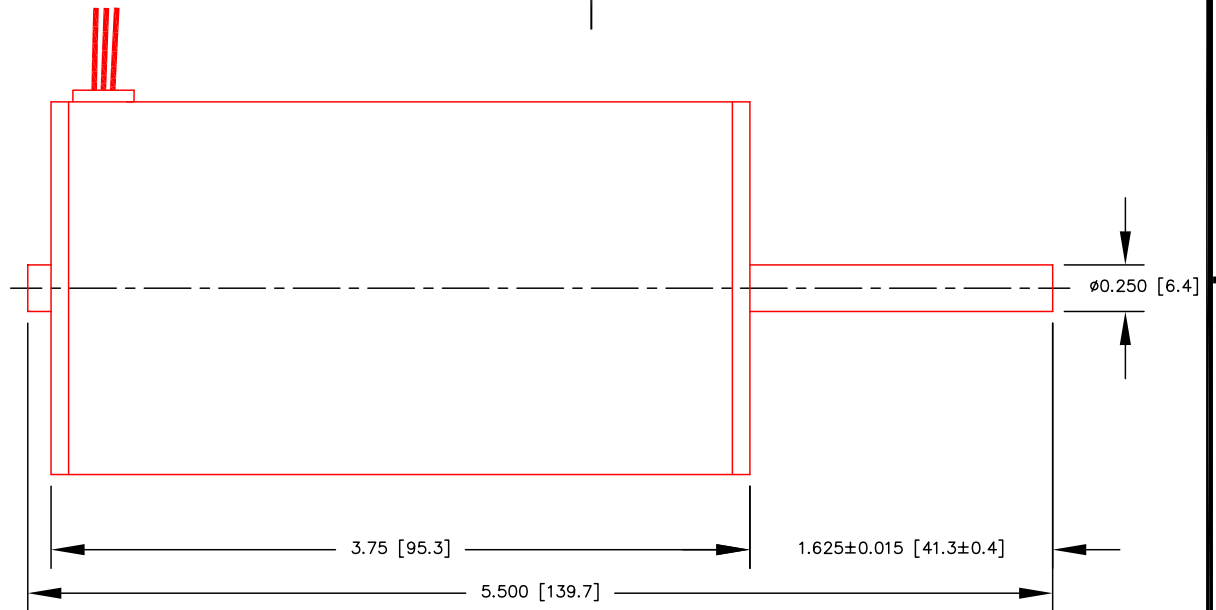
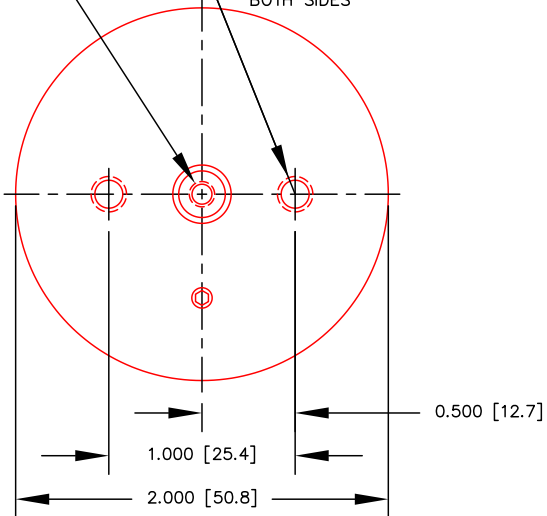
2

1

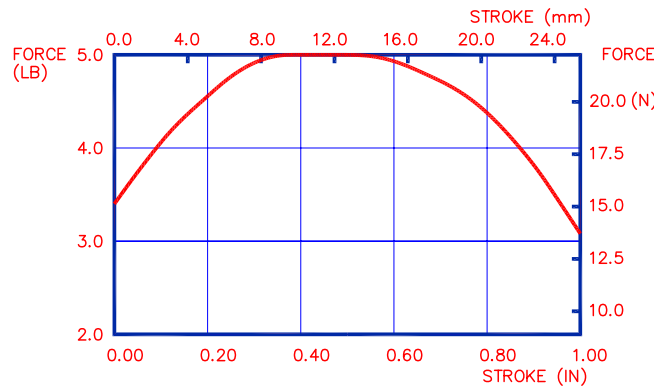
SHOWN IN FORWARD EXTENDED SHAFT POSITION

REVISIONS

ZONE	LETTER	DESCRIPTION	DATE	CHECKED	APPROVED

6-32 UNC-2B X 0.40 [10.1] MIN DP  
BOTH SIDES10-32 UNF-2B X 0.40 [10.1] MIN DP (2)  
BOTH SIDES

INTERMITTENT FORCE @10% DUTY CYCLE	70.2 N	15.8 LB
CONTINUOUS FORCE	22.2 N	5.0 LB
FORCE CONSTANT	10.8 N/A	2.42 LB/A
BACK EMF CONSTANT	10.8 V/M/S	0.273 V/IN/S
STROKE	25.4 mm	1.000 IN
MOVING MASS	204 GR	0.45 Lb
TOTAL MASS	926 GR	2.04 Lb
COIL RESISTANCE	4.7 Ohms	
COIL INDUCTANCE @ 1000 Hz	4.9 mH	
MAX CONTINUOUS POWER	20.0 W	
MAX TOTAL SHAFT SIDE LOAD	24.0 N	5.4 Lb
LINEAR BEARING TYPE	PLAIN BUSHING	



CONTINUOUS FORCE

COLOR	DESCRIPTION
ORANGE	+5 VDC POWER FOR OPTICAL ENCODER
GREEN-BLUE	DIFFERENTIAL ANALOG SINE OUTPUTS
WHITE-YELLOW	DIFFERENTIAL ANALOG COSINE OUTPUTS
BROWN	RETURN FOR OPTICAL ENCODER
BLACK	MOTOR MINUS
RED	MOTOR PLUS

THIS DOCUMENT, WHETHER OR NOT MARKED AS PROPRIETARY, IS CONSIDERED CONFIDENTIAL AND SHALL REMAIN THE PROPERTY OF MOTICONT AND SHALL BE RETURNED TO MOTICONT UPON REQUEST WITH ALL COPIES MADE THEREOF. THIS DOCUMENT CANNOT BE UTILIZED IN THE MANUFACTURE OF ARTICLES SOLD OR OFFERED OR DISCLOSED TO ANYONE AND NO USE OF IT CAN BE MADE UNLESS EXPRESSLY AUTHORIZED BY AND UNDER THE DIRECTION OF MOTICONT. POSSESSION OF THIS DOCUMENT IS ACCEPTED SUBJECT TO THE FOREGOING.

4-SUB MICRON RESOLUTION IS ACHIEVABLE WITH INTERPOLATION.  
3-MOTOR MAY BE SUPPLIED WITH OPTIONAL SPRINGS.  
2-FOR PROPER HEAT DISSIPATION, THE MOTOR SHOULD BE MOUNTED ON A METALLIC BODY WITH ADEQUATE SURFACE AREA IN AN UNRESTRICTED FLOW OF AIR.

1-ALL VALUES AT 25°C

NOTES :

UNLESS OTHERWISE SPECIFIED

DIMENSIONS ARE IN INCHES (mm) TOLERANCES ON:	
DECIMALS	FRACTIONS ANGLES
.XXX .XX	± 1/125 ± 1/2°
± .005 ± .01	UNLESS OTHERWISE SPECIFIED
USED ON	NEXT ASSY
APPLICATION	

MATERIAL

CONTRACT

motiCont

LINEAR DIRECT DRIVE MOTOR  
WITH BUILT-IN ENCODER

DRN

CHKD

APPVD

APPVD

SIZE  
A

CODE

DWG. NO.  
SDLM-051-095-01-AREV.  
1

SCALE: 1 / 1

SHEET 1 OF 1

4

3

2

1